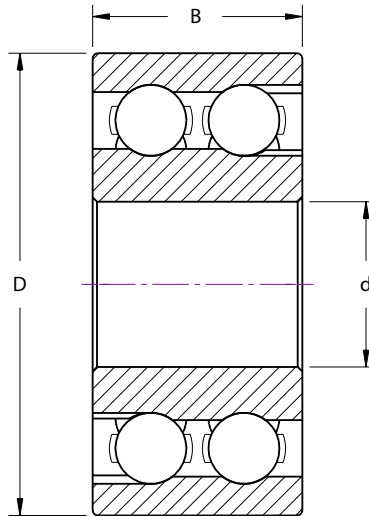


5200W Series



Bearing Size	Dimensions			Load Rating (lbf)		Limiting Speed (RPM)	
				Dynamic	Static		
	d (mm)	D (mm)	B (inch)	Cr	Cor	Grease	Oil
5205W	25	52	13/16	4900	4650	8000	11000
5206W	30	62	15/16	6500	6250	7000	9500
5207W	35	72	1-1/16	8750	8400	6000	8000
5208W	40	80	1-3/16	10800	11700	5600	7500
5209W	45	85	1-3/16	11300	11800	5000	6700
5210W	50	90	1-3/16	11900	12900	4800	6300
5211W	55	100	1-5/16	12900	15100	4300	5600
5212W	60	110	1-7/16	15400	17600	3800	5000
5213W	65	120	1-1/2	17600	21500	3600	4800
5214W	70	125	1-9/16	21100	24300	3200	4300
5215W	75	130	1-5/8	22600	26900	3200	4300